



VIRGIN PLATE ABIPLEX

Technical sheet. Utility Model Number 201130405

REFERENCE	MEASURE (MM)	THICKNESS	COLOUR	M2	WEIGHT/M2	COMPRESSIVE STRENGTH
2 052 0700	2400 x 1630	9,20	WHITE/ WHITE	3,912	2,13 KG	36,00 KN/m2
2 052 0710	2400 x 1630	9,20	KRAFT/ KRAFT	3,912	2,13 KG	36,00 KN/m2
2 052 0720	2400 x 1630	13,50	WHITE/ WHITE	3,912	2,13 KG	29,50 KN/m2
2 052 0730	2400 x 1630	13,50	KRAFT / KRAFT	3,912	2,13 KG	29,50 KN/m2

CHARACTERISTICS
Ecological and 100% recyclable: It protects the environment. FSC Certified by our suppliers.
Light and resistant.
Easy-assembly structure, normally without accessories.
Smooth surface: Option of shiny or matte varnish.
Possibility of edging with our paper to hide the internal core of cardboard.
Rigid support for digital systems and serigraphy, with optimal finish.
Fireproof property in development.
Damp-proof property in development.

LOGISTICAL SPECIFICATIONS	INFORMATION
Size x pallet	2.400 x 1.630 mm
Height x pallet	1.100 mm (approximate)
Weight x pallet	800 kg (approximate)
Plates x pallet 9,20 mm	100
Plates x pallet 13,50 mm	75
Pallet x truck	16

STOCKAGE
Recommended temperature: 25/30 Celsius degrees.
Recommended relative humidity: about 45%.
Keep covered, avoid the direct sunlight and the abrupt changes of temperature.
It is advisable to place any cardboard plate of measurements 2.400x1.630mm on top of the material.
Use multi-support inks of high anchorage for the optimal fixation of the ink.
Manipulate the plate with fabric gloves.

[+ Information on the back page](#)



VIRGIN PLATE ABIPLEX

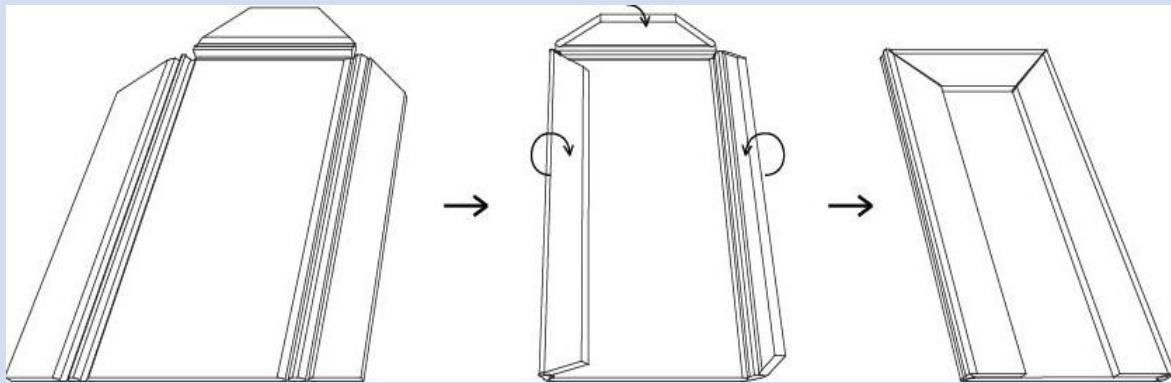
Technical sheet. Utility Model Number 201130405

ADVICE FOR CUTTING AND PRINTING

1.-) "V" cuts: Depth of the cut until the thickness of the micro 1,7mm.



2.-) Flat shapes: Folding of the sides ("V" cut) to maintain the planimetry.



3.-) Double-sided printing: Introduction sense into the machine and turning over of the plate.

