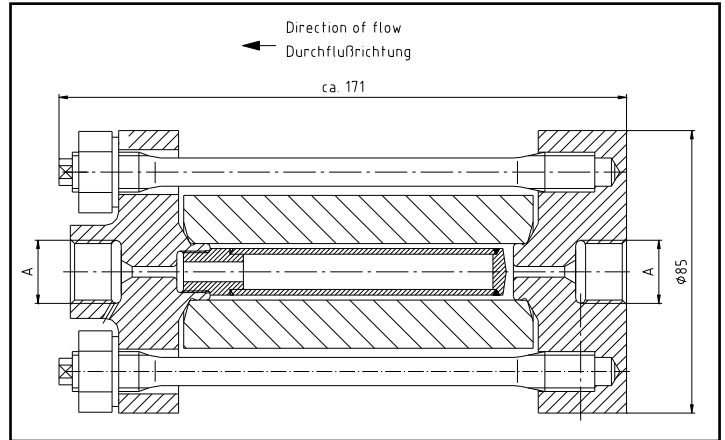


The pressure source for your waterjet system

4.000 bar high-pressure inline filter for waterjet cutting



thyssenkrupp



Product description

The high pressure filter is installed inside the cutting water pipeline of a waterjet cutting system, between the high pressure pump and the cutting head. Its task is to collect solid particles (e.g. limestone, mounting metal chips, abrasion particles of seals) on the surface of the filter cartridge and to separate them from the cutting water. This ensures the significantly improved quality of the water and the lifetime of orifices, swivel joints, valves and other components in high-pressure cutting water pipeline system.

Technical data	Unit	Description		
Filter element size	[µm]	1, 5, 20		
Kind of filter element	-	Metal fabric		
Max. operating pressure	[bar] / [psi]	4.140 / 60.000		
Filter element area	[mm ²]	3.400		
Ambient temperature	[°C]	0 - 50		
Medium	-	Water		
Max. flow rate filter element	[l/min]	100		
Pressure loss	[bar]	Max. 2,4 at 100 l/min		
HP connection type "A"				
HP connection type "A" (see drawing) Please select from the matrix table the appropriate UHDE article number.		9/16"-18UNF for HP-tube ø1/4" (6,35mm)	3/4"-16UNF for HP-tube ø3/8" (9,52mm)	1 1/8"-12UNF for HP-tube ø9/16" (14,3mm)
	1 µm	11-013074	11-013063	11-013077
	5 µm	11-013075	11-013064	11-013078
	20 µm	11-013076	11-013065	11-013079
Installation position	-	Any		
Weight	[kg]	3,6		

According to Pressure Equipment Directive 2014/68/EU