

Chain sling connections



Chain sling connections, single leg

Art. No.	Short description	Strength [mm]	l [m]	G [kg]
852 000	Chain sling connection, single leg	13	1,50	8,7
852 020	Chain sling connection, single leg	13	2,00	10,5
852 021	Chain sling connection, single leg	13	2,50	12,4
852 015	Chain sling connection, single leg	13	3,00	14,2
852 025	Chain sling connection, single leg	16	1,50	13,8
852 030	Chain sling connection, single leg	16	2,00	16,6
852 031	Chain sling connection, single leg	16	2,50	19,4
852 033	Chain sling connection, single leg	16	3,00	22,2
852 035	Chain sling connection, single leg	19	1,00	16,8
852 037	Chain sling connection, single leg	19	1,50	20,0
852 040	Chain sling connection, single leg	19	2,00	23,9
852 050	Chain sling connection, single leg	19	2,50	28,0
852 055	Chain sling connection, single leg	19	3,00	31,7

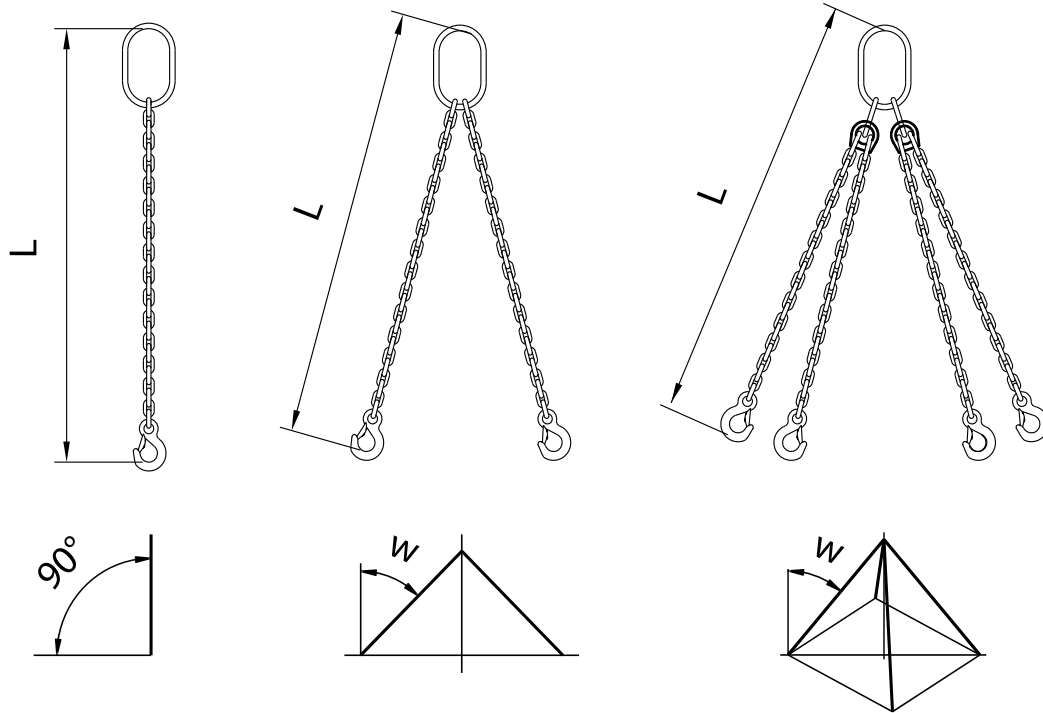
Chain sling connections, double leg

Art. No.	Short description	Strength [mm]	l [m]	G [kg]
852 098	Chain sling connection, double leg	13	1,50	19,2
852 100	Chain sling connection, double leg	13	2,00	22,9
852 200	Chain sling connection, double leg	13	2,50	26,6
852 300	Chain sling connection, double leg	13	3,00	22,9
852 362	Chain sling connection, double leg	13	4,00	38,0
853 090	Chain sling connection, double leg	16	1,50	26,8
853 100	Chain sling connection, double leg	16	2,00	32,4
853 200	Chain sling connection, double leg	16	2,50	38,0
853 300	Chain sling connection, double leg	16	3,00	43,6
854 020	Chain sling connection, double leg	19	1,50	39,1
854 050	Chain sling connection, double leg	19	2,00	46,9
854 100	Chain sling connection, double leg	19	2,50	54,7
854 105	Chain sling connection, double leg	19	3,00	62,5

Chain sling connections, 4 leg

Art. No.	Short description	Strength [mm]	l [m]	G [kg]
852 130	Chain sling connection, 4 leg	13	1,50	32,1
852 150	Chain sling connection, 4 leg	13	2,00	39,5
852 250	Chain sling connection, 4 leg	13	2,50	48,0
852 350	Chain sling connection, 4 leg	13	3,00	55,6
853 230	Chain sling connection, 4 leg	16	2,00	61,6
853 220	Chain sling connection, 4 leg	16	2,50	72,8
853 240	Chain sling connection, 4 leg	16	3,00	92,4
854 102	Chain sling connection, 4 leg	19	2,50	120,0

Loading and range of application



Nominal size [mm]	n-Sling	Load capacity [t]			Application area
		0°	0° < w < 45°	45° < w < 60°	
13	1	3,15	-	-	Suspension chain
13	2	-	5,30	7,50	Suspension chain
13	4	-	11,20	8,00	Suspension chain
16	1	8,00	-	-	Shoring boxes
16	2	-	11,20	8,00	Shoring boxes
16	4	-	17,00	11,80	Shoring boxes
19	1	11,20	-	-	Sliding rail systems
19	2	-	16,00	11,20	Sliding rail systems
19	4	-	23,60	17,00	Sliding rail systems