

# Container for decentralized waste disposal



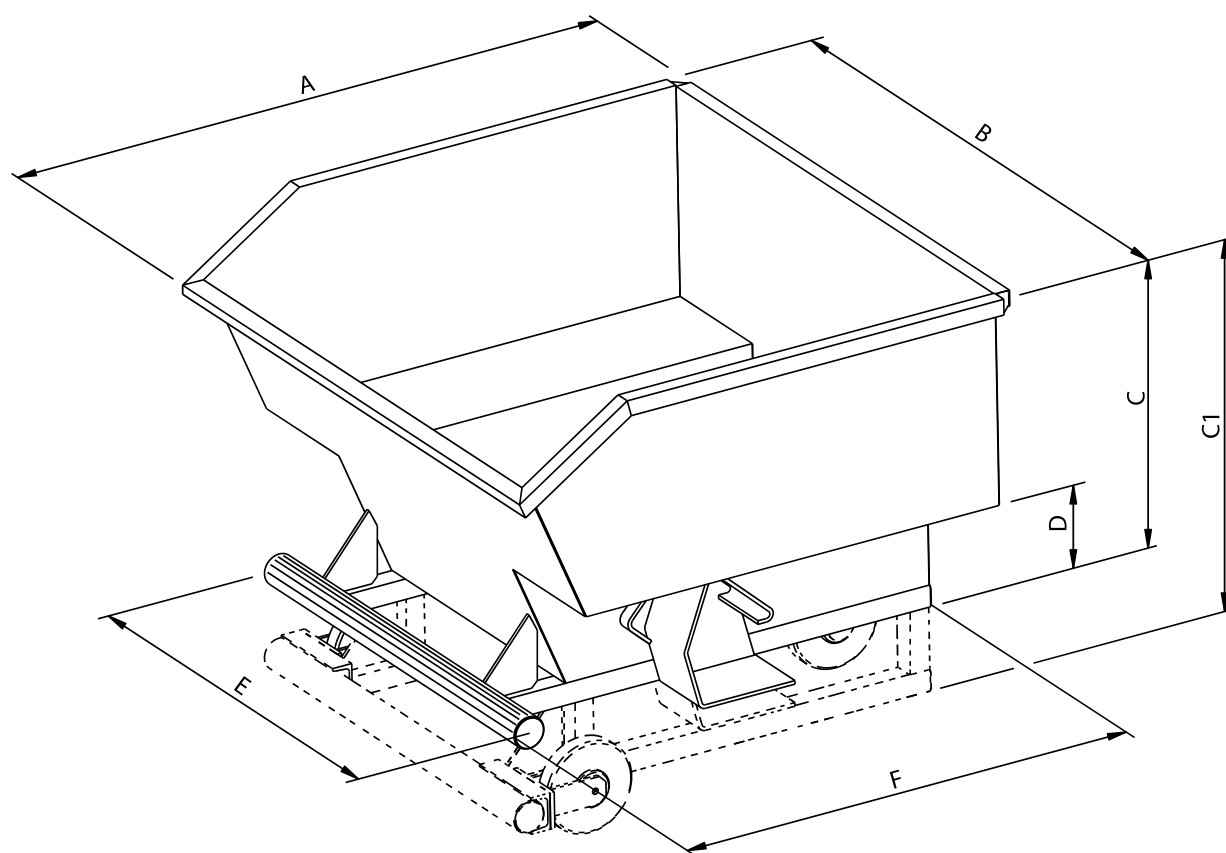
The Model 70 container for decentralized waste disposal is suitable for transporting both bulky goods and liquids in a wide range of industrial applications.

To empty the contents of the container, the driver merely needs to drive the front rail to the side of a truck or collection tank. Due to its center of gravity, the tilting mechanism is designed so that the entire contents can be emptied. The empty container can then be pivoted back to its original transporting position on the transport sleeves of the forklift. These movement sequences are maintenance-free and do not require any additional handling by the operator.

As standard, the MODEL 70 is available in blue (RAL 5012) with a mounting frame. It can also be ordered with three plastic wheels, lids, or in other RAL colors if required.

## Technical Data

Art. No.	Short description	Model	G [kg]	Loading [kg]	Contents [l]	Fork width [mm]
885 100	Container for decentralized waste disposal	I	108,0	3000	325	400
885 200	Container for decentralized waste disposal	II	128,0	3000	520	620
885 300	Container for decentralized waste disposal	III	155,0	3000	737	680
885 400	Container for decentralized waste disposal	IV	183,0	3000	1233	680



Model	A	B	C	C1	D	E	F
	[mm]	[mm]	[mm]	[mm]	[mm]	[mm]	[mm]
I	1100	783	702	-	390	566	890
II	1010	1062	892	-	445	806	855
III	1205	1272	747	927	280	856	1040
IV	1520	1313	1000	1195	400	856	1170