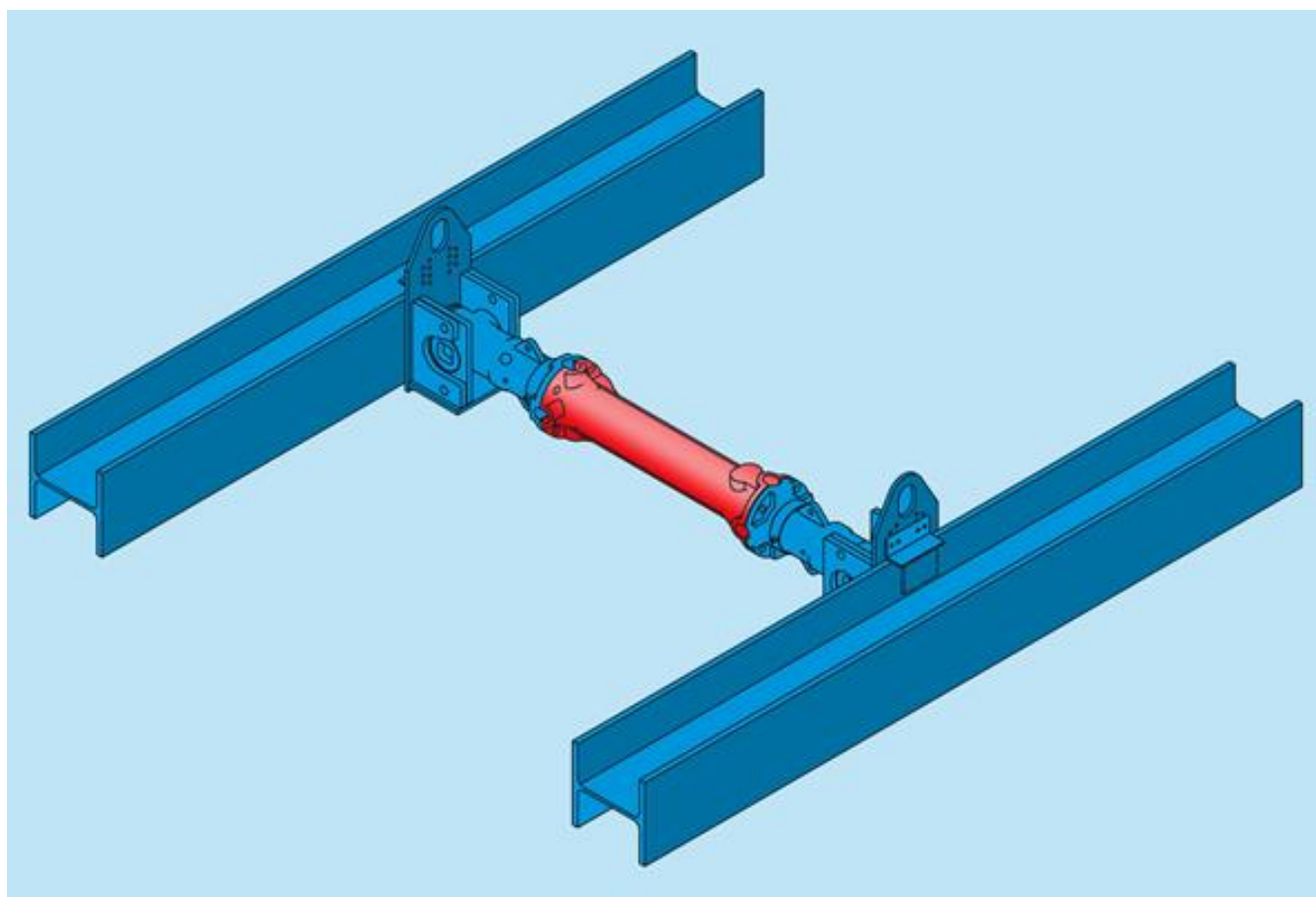
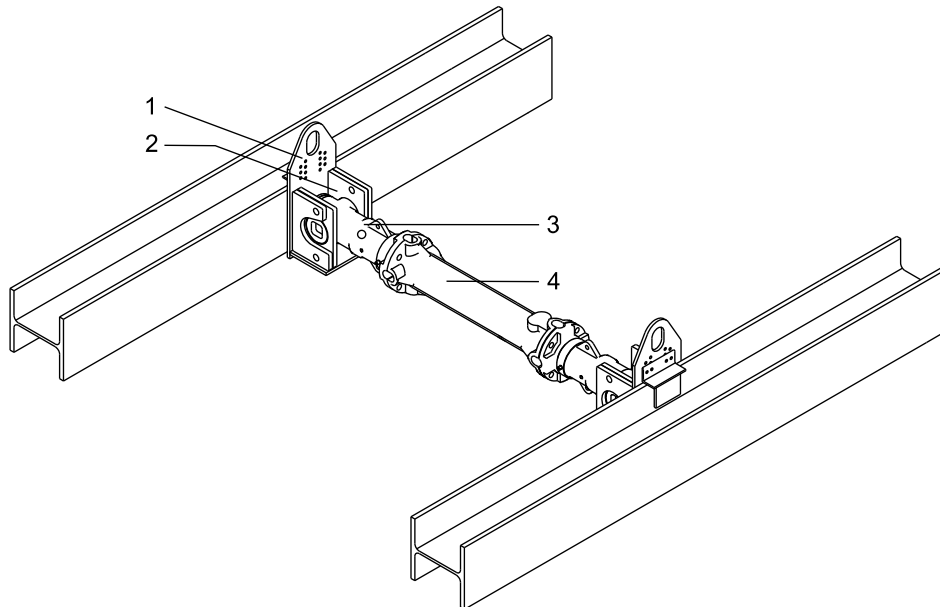


Waler strut





1	Bearing block	3	Spreader
2	Locating plate	4	Extension bar

Components

Art. No.	Short description	G [kg]	Standard
300 000	Spreader complete, right hand -hollow-	19,5	
301 000	Spreader complete, left hand -hollow-	19,5	
859 980	Bearing block for HEB-beams	18,7	
302 125	Bearing plate -closed-	4,2	
IB 0360 F	Screw M 20 x 45	0,17	DIN 933
IA 0130 F	Nut M 20	0,03	DIN 934
ID 0160 F	Spring ring A 20	0,01	DIN 127
IB 0310 F	Screw M 16 x 55	0,11	DIN 933
IA 0120 F	Nut M 16	0,03	DIN 934

Extension bars

Art. No.	Short description	l [m]	G [kg]
850 091	Extension bar GGG 50	0,250	11,2
850 100	Extension bar GGG 50	0,550	18,7
850 112	Extension bar HEB 180	0,275	28,0
850 110	Extension bar HEB 180	0,550	43,0
850 124	Extension bar HEB 180	1,100	70,0
850 132	Extension bar HEB 180	1,650	100,0
850 135	Extension bar HEB 180	2,200	130,0