

GIGANT aluminum box shoring



GIGANT aluminum box shoring is the ideal solution for trenches in urban areas. The modular system is made of aluminum and closes the gap between steel systems, which are frequently too heavy, and timber planks.

The range is divided into several areas, in order to cater for the varying requirements of today's construction sites. The modular system can be combined and supplemented as required.

The lightweight sections (max. 42 kg) can be brought to the site with a small commercial vehicle or trailer. The aluminum boards can then be quickly connected by hand on site using aluminum couplers to form a shoring unit of the desired depth. All conventional trench widths and depths less 6 m and degrees of difficulty (transverse electrical lines, non-cohesive soils, tight working areas) can be handled using the standardized aluminum lightweight GIGANT shoring, even without heavy equipment.

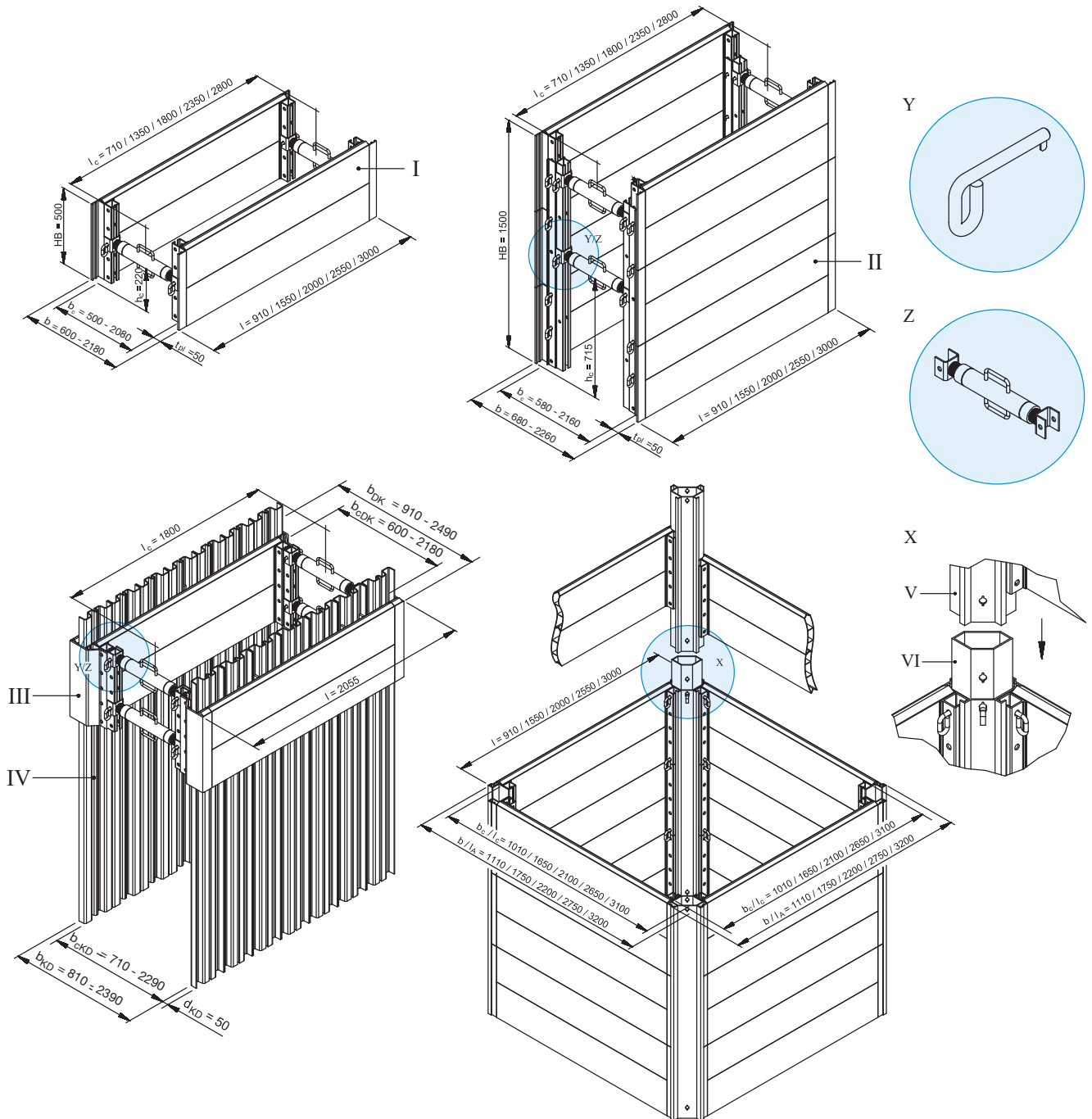
Basic data

Installation depth	max. 4.00 m
Trench width	max. 2.18m
Weight	variable

Advantages

- Easy to transport
- Easy to assemble at the construction site
- Large deployable radius
- Innumerable combinations
- Suitable as a box combination for securing trenches
- Long service life, no rusting, highly durable

GIGANT aluminum box shoring



(All dimensions in mm)

I, II	Aluminium shoring panel	l_c	Max. pipe length	b_{KD}	Sheet pile shoring width
III	Aluminium chamber wall	b	Trench width	b_{cDK}	Piling frame clear width
IV	Aluminium pile	b_c	Inner width	b_{DK}	Piling frame shoring width
V	Aluminium shaft corner	h_c	Vertical clearance	Y	Pin
VI	Aluminium coupling for shaft corner	t_{pl}	Thickness	Z	KVL spindle
HB	Element height	d_{KD}	Sheet pile thickness		
I	Length	b_{cKD}	Sheet pile clear width		

Base units

Art. No.	Short description	l [m]	h [m]	h _c [m]	G / VP [kg]
804 100	Aluminium shoring panel	0,91	0,50	0,22	13,0
804 150	Aluminium shoring panel	1,55	0,50	0,22	21,0
804 200	Aluminium shoring panel	2,00	0,50	0,22	28,0
804 210	Aluminium shoring panel	2,55	0,50	0,22	37,0
804 250	Aluminium shoring panel	3,00	0,50	0,22	42,0

Base units

Art. No.	Short description	l [m]	h [m]	h _c [m]	G / VP [kg]
804 381	Aluminium chamber wall	2,055	0,50	0,22	37,0

Spindles

Art. No.	Short description	l [m]	G [kg]
804 400	Trench strut GI-A60-81 cm including 2 pins	0,60 - 0,81	5,5
804 500	Trench strut GI-A80-121 cm including 2 pins	0,80 - 1,21	7,3
804 550	Trench strut GI-A 129-218 cm including 2 pins	1,29 - 2,18	11,5

Trench widths

Trench strut	without coupling			with coupling	
	Stroke [m]	b _c [m]	b [m]	b _c [m]	b [m]
GI-A / 60-81	0,21	0,50 - 0,71	0,60 - 0,81	0,58 - 0,79	0,68 - 0,89
GI-A / 80-121	0,41	0,70 - 1,11	0,80 - 1,21	0,78 - 1,19	0,88 - 1,29
GI-A / 129-218	0,89	1,19 - 2,08	1,29 - 2,18	1,27 - 2,16	1,37 - 2,26

Trench widths

Trench strut	Stroke [m]	b _c DK [m]	b DK [m]	b _c KD [m]	b KD [m]
GI-A / 60-81	0,21	0,60 - 0,81	0,91 - 1,12	0,71 - 0,92	0,81 - 1,02
GI-A / 80-121	0,41	0,80 - 1,21	1,11 - 1,52	0,91 - 1,32	1,01 - 1,42
GI-A / 129-218	0,89	1,29 - 2,18	1,60 - 2,49	1,40 - 2,29	1,50 - 2,39

Accessories/spares for GIGANT aluminium box shoring

Art. No.	Short description	l [m]	G [kg]	d [m]
804 350	Locking pin, black, with gravity flip		0,25	0,013
804 360	Locking pin, yellow, without gravity flip		0,20	0,013
804 370	Locking pin		0,50	0,020
804 700	Strut key for trench struts		2,6	
804 580	Aluminium shaft corner including 4 pins	0,5	3,8	
804 600	Aluminium shaft corner including 12 pins	1,50	11,0	
804 320	Aluminium coupling for shaft corner including 2 pins	0,30	1,4	
804 650	Sling lug including 1 pin		1,05	
804 670	3D load ring including 2 pins		1,5	
804 380	Railing holder	1,11	5,8	0,048
804 720	Support bracket including 2 pins		4,3	
804 280	Coupler including 4 pins	0,28	2,0	
804 300	Coupler including 6 pins	1,35	6,3	
804 310	Coupler including 8 pins	1,85	9,0	
804 619	Cutting edge for aluminium shoring panel including 4 pins	2,00	33,0	

Accessories/spares for GIGANT aluminium box shoring (contd.)

Art. No.	Short description	l [m]	G [kg]	d [m]
804 620	Cutting edge for aluminium shoring panel including 4 pins	3,00	49,0	
804 382	Aluminium pile	2,50	14,0	
804 383	Aluminium pile	3,50	19,6	
804 386	Clamping piece with bolt		0,2	
804 384	Pressure piece		1,9	
804 385	Grab		3,0	
804 388	Head piece 50		0,1	
804 660	4-fold webbing sling	2,50	1,5	

l	Length	d	Diameter	G	Weight
---	--------	---	----------	---	--------