

Flex shoring



KRINGS Flex shoring is an environmentally friendly alternative to aluminum lightweight shoring and is ideal for the laying of gas and water supply lines and other services down to depths of about 1.5 m and for pipe clearances of up to 0.6 m.

Together with basic and supplementary elements, the shoring can be adapted to various pipe culvert heights. The components are easy to mount on top of each other and can be connected with a coupler. The steel corner posts belonging to the system are simply bolted onto the ends of the timber boards and, with the aid of a cross member, will take the standard KVL spindles. The timber boards are provided by the customer in various lengths and thicknesses.

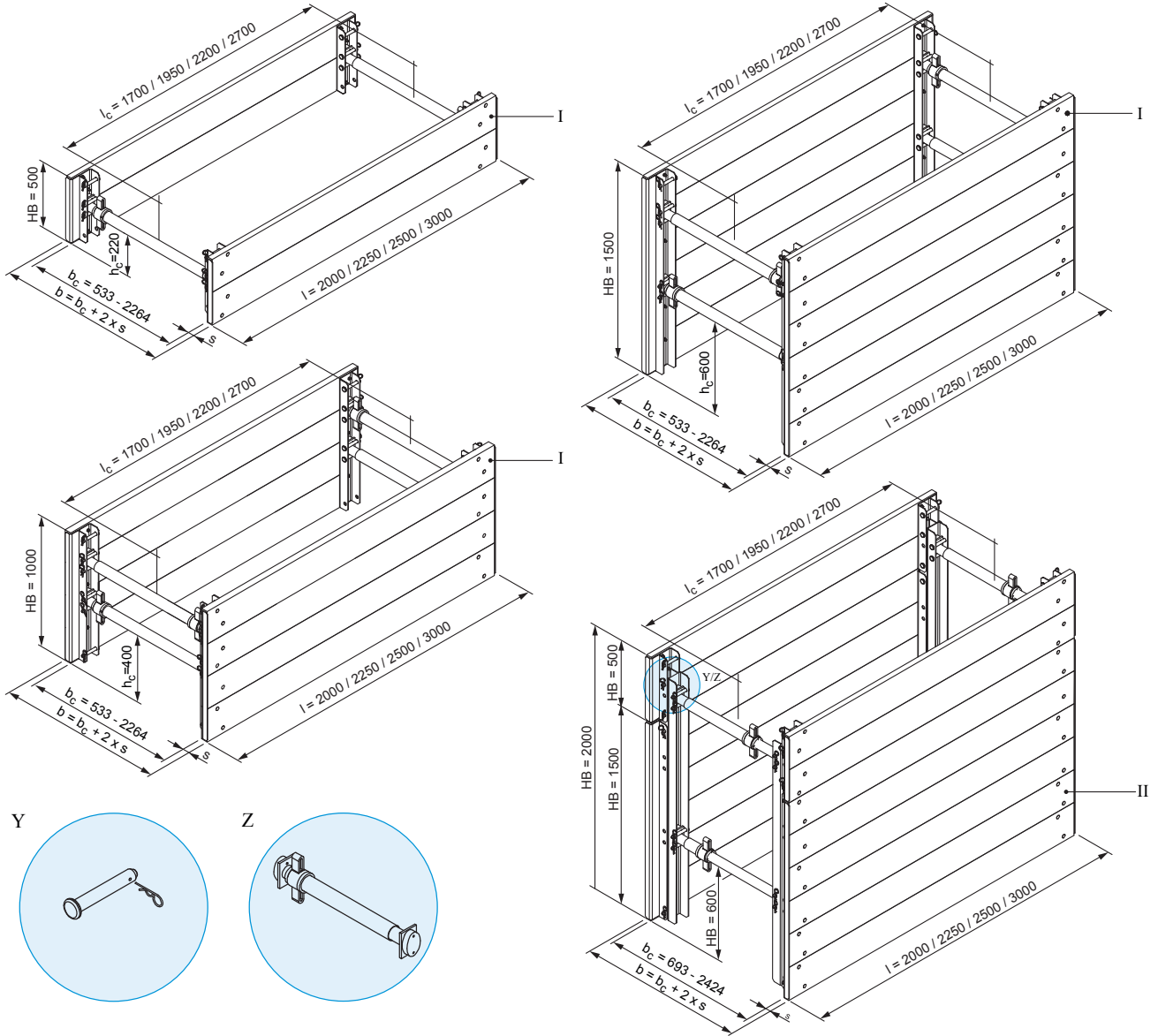
Basic data

Shoring/board length	2,00 m / 2,25 m / 2,50 m / 3,00 m
Element height	0,50 m / 1,00 m / 1,50 m
Pipe culvert height	0,22 m / 0,60 m
Board thickness	5 cm / 6 cm / 7 cm
Shoring depth	max. 2,00 m
Trench width	variable, see page 106

Advantages

- Ecologically compatible timber shoring
- Can be easily adapted to suit various pipe culvert heights

Flex shoring sample combination, height 500 mm, 1000 mm, 1500 mm and 2000 mm



(All dimensions in mm)

l	Flex shoring element	b_c	Inner width	Y	Pin
l	Length	HB	Element height	Z	KVL spindle
l_c	Pipe culvert length	h_c	Pipe culvert height		
b	Trench width	s	Board thickness		

Base panels

Art. No.	Short description	h [m]	h _c [m]	G / VP [kg]
888 401	Base/top cross member	0,50	0,22	7,6
888 410	Base cross member	1,00	0,41	18,6
888 400	Base cross member	1,50	0,60	25,7

Spindles

Art. No.	Short description	l [m]	G [kg]
118 060	Spindle - 70x650 (rubber pad round)	0,523 - 0,617	12,2
118 070	Spindle - 70x740 (rubber pad round)	0,613 - 0,797	13,4
118 090	Spindle - 70x920 (rubber pad round)	0,799 - 1,161	15,8
118 020	Spindle - 70x1280 (rubber pad round)	1,153 - 1,878	20,5
118 100	Spindle - 70x1470 (rubber pad round)	1,339 - 2,254	24,0

Trench widths

Art. No.	Short description	Stroke [m]	b _c [m]	b [m]
118 060	Spindle - 70x650 (rubber pad round)	0,094	0,533 - 0,627	0,547 - 0,641
118 070	Spindle - 70x740 (rubber pad round)	0,184	0,623 - 0,807	0,637 - 0,821
118 090	Spindle - 70x920 (rubber pad round)	0,362	0,809 - 1,171	0,823 - 1,185
118 020	Spindle - 70x1280 (rubber pad round)	0,725	1,163 - 1,888	1,177 - 1,902
118 100	Spindle - 70x1470 (rubber pad round)	0,915	1,349 - 2,264	1,363 - 2,278

Accessories / Spares

Art. No.	Short description	l [m]	d [m]	G [kg]
138 030	Pin 125 x 20	0,125	0,020	0,4
138 200	Spring cotter 92 x 5	0,092	0,005	0,1
888 407	Coupler for Aluminium/Flex shoring	0,83		14,0
888 405	Coupler for Aluminium/Flex shoring	1,33		21,4
888 406	Coupler for Aluminium/Flex shoring	1,83		30,0

Timber plank with a height of 0.25 m and lengths between 2.00 m and 3.00 m and saucer-head screws M 10 and nuts M 10 to be provided by customer.

Minimum system resistance (design) [kN/m²], timber plank

Shoring length	Supported width	For plank width s [cm]			
		4	5	6	7
2,00 m	1,76 m	10,2	15,9	22,9	31,2
2,25 m	2,01 m	7,8	12,2	17,6	23,9
2,50 m	2,26 m	6,2	9,6	13,9	18,9
3,00 m	2,76 m	4,1	6,5	9,3	12,7

(EC5, NH S10, Usage Class 2)

l	Flex shoring element	b	Trench width	h _c	Pipe culvert height
l	Length	b _c	Inner width	s	Board thickness
l _c	Pipe culvert length	HB	Element height		