

KS 60 Eck

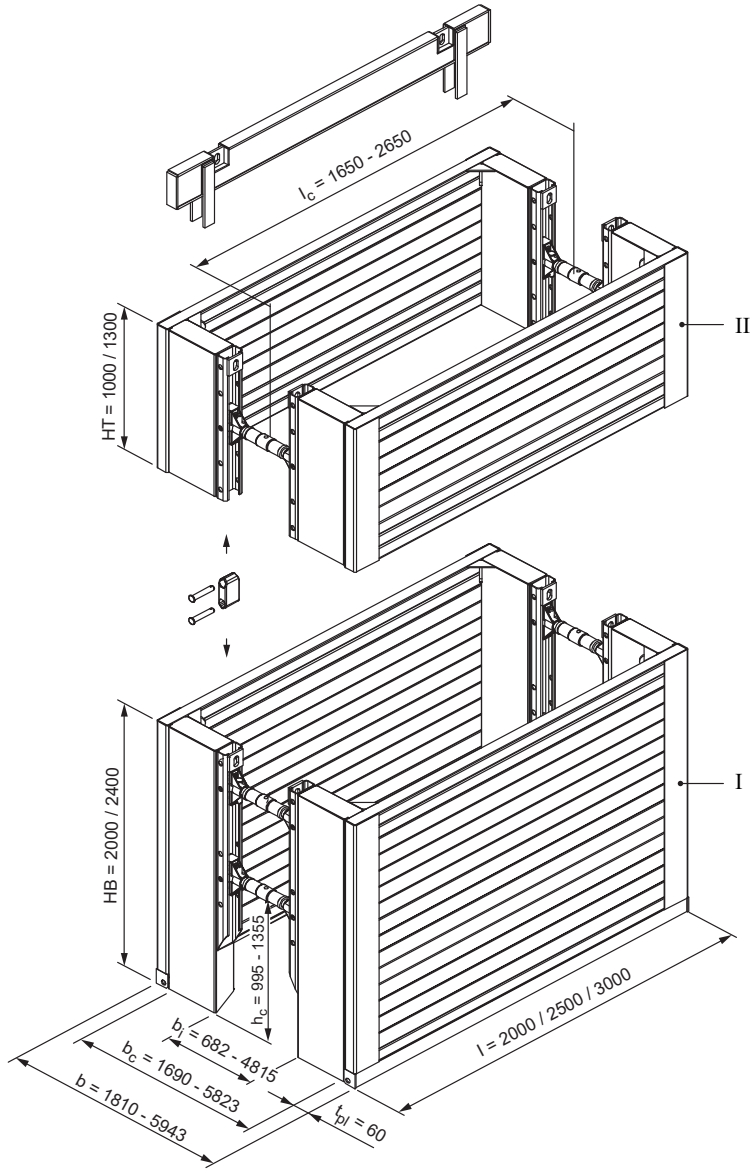


This system is well overthought and in conjunction with the KS 60 ideal for creating pipelines and manholes. The dimension of this box or chosen to be compatible with the dimensions of catch basins and small pits.

Basic data

| | |
|----------------------|-------------------|
| Shoring length | 2,00 m - 3,00 m |
| Height base unit | 2,00 m / 2,40 m |
| Height top unit | 1,00 m / 1,30 m |
| Pulp culvert heighth | max. 1,355 m |
| Weight | 1345 kg - 1695 kg |

KS 60 Eck



(All dimensions in mm)

| | | | | | |
|----|------------------|----------------|------------------------|-----------------|---------------------|
| I | Base unit | l | Length | b _i | Inner culvert width |
| II | Top unit | l _c | Pipe culvert length | h _c | Pulp culvert height |
| HB | Height base unit | b | Shoring / trench width | t _{pl} | Thickness |
| HT | Height top unit | b _c | Inner width | | |

Base units

| Art.-Nr. | l [m] | h [m] | tpl [m] | hc [m] | lc [m] | G / VP [kg] | G / Box [kg] | A [m ²] | eh [kN/m ²] |
|----------|-------|-------|---------|--------|--------|-------------|--------------|---------------------|-------------------------|
| 135 208 | 2,00 | 2,00 | 0,06 | 1,00 | 1,65 | 575,0 | 1345,2* | 4,00 | 59,50 |
| 135 206 | 2,00 | 2,40 | 0,06 | 1,35 | 1,65 | 631,0 | 1457,2* | 4,80 | 39,10 |
| 135 205 | 2,50 | 2,40 | 0,06 | 1,35 | 2,15 | 685,0 | 1565,2* | 6,00 | 31,30 |
| 135 200 | 3,00 | 2,40 | 0,06 | 1,35 | 2,65 | 750,0 | 1695,2* | 7,20 | 26,10 |

Top units

| Art.-Nr. | l [m] | h [m] | tpl [m] | hc [m] | lc [m] | G / VP [kg] | G / Box [kg] | A [m ²] | eh [kN/m ²] |
|----------|-------|-------|---------|--------|--------|-------------|--------------|---------------------|-------------------------|
| 135 284 | 2,00 | 1,00 | 0,06 | - | 1,65 | 338,0 | 850,2* | 2,00 | 66,7 |
| 135 283 | 2,50 | 1,00 | 0,06 | - | 2,15 | 367,0 | 908,2* | 2,50 | 39,7 |
| 135 285 | 2,00 | 1,30 | 0,06 | - | 1,65 | 430,0 | 1034,2* | 2,60 | 66,7 |
| 135 286 | 2,50 | 1,30 | 0,06 | - | 2,15 | 468,0 | 1110,2* | 3,25 | 39,7 |
| 135 290 | 3,00 | 1,30 | 0,06 | - | 2,65 | 505,0 | 1184,2* | 3,90 | 26,3 |

* with spindle 98x700

Struts / Extension bars

| Art.-No. | Short description | l [m] | G [kg] |
|----------|---|-------|--------|
| 138 250 | Spindle to stick 98x392 | | 15,7 |
| 138 280 | Spindle to stick 98x550 | | 22,0 |
| 138 290 | Spindle to stick 98x700 | | 34,0 |
| 138 300 | Spindle to stick 98x817, complete | | 76,9 |
| 108 950 | Spindle - heavy duty design - lefthand, 98x817 | | 32,0 |
| 108 960 | Spindle - heavy duty design - righthand, 98x817 | | 33,0 |
| 139 385 | Plug-in adapter pipe 108x1000 mm (to stick) | 1,00 | 28,0 |
| 139 400 | Plug-in adapter pipe 108x1500 mm (to stick) | 1,50 | 37,4 |
| 139 420 | Plug-in adapter pipe 108x2000 mm (to stick) | 2,00 | 47,3 |
| 139 425 | Plug-in adapter pipe 108x2500 mm (to stick) | 2,50 | 60,0 |
| 139 430 | Plug-in adapter pipe 108x300 mm (to stick) | 0,30 | 13,8 |
| 139 445 | Plug-in adapter pipe 108x500 mm (to stick) | 0,30 | 17,7 |
| 139 470 | Plug-in adapter pipe 121x1000 mm (to stick) | 1,00 | 36,3 |
| 139 510 | Plug-in adapter pipe 121x500 mm (to stick) | 0,50 | 25,1 |

Shoring widths for spindle 98x392

| Extension bar | l [m] | b _i [m] | b _c [m] | b [m] |
|---------------|---------|--------------------|--------------------|---------------|
| | without | 0,682 - 0,750 | 1,690 - 1,758 | 1,810 - 1,878 |
| 139 430 | 0,30 | 0,982 - 1,050 | 1,990 - 2,058 | 2,110 - 2,178 |
| 139 445 | 0,50 | 1,182 - 1,250 | 2,190 - 2,258 | 2,310 - 2,378 |
| 139 385 | 1,00 | 1,682 - 1,750 | 2,690 - 2,758 | 2,810 - 2,878 |
| 139 400 | 1,50 | 2,182 - 2,250 | 3,190 - 3,258 | 3,310 - 3,378 |
| 139 420 | 2,0 | 2,682 - 2,750 | 3,690 - 3,758 | 3,810 - 3,878 |
| 139 425 | 2,50 | 3,182 - 3,250 | 4,190 - 4,258 | 4,310 - 4,378 |

Shoring widths for spindle 98x550

| Extension bar | l [m] | b _i [m] | b _c [m] | b [m] |
|---------------|---------|--------------------|--------------------|---------------|
| | without | 0,814 - 1,014 | 1,822 - 2,022 | 1,942 - 2,142 |
| 139 430 | 0,30 | 1,114 - 1,314 | 2,122 - 2,322 | 2,242 - 2,442 |
| 139 445 | 0,50 | 1,314 - 1,514 | 2,322 - 2,522 | 2,442 - 2,642 |
| 139 385 | 1,00 | 1,814 - 2,014 | 2,822 - 3,022 | 2,942 - 3,142 |
| 139 400 | 1,50 | 2,314 - 2,514 | 3,322 - 3,522 | 3,442 - 3,642 |
| 139 420 | 2,00 | 2,814 - 3,014 | 3,822 - 4,022 | 3,942 - 4,142 |
| 139 425 | 2,50 | 3,314 - 3,514 | 4,322 - 4,522 | 4,442 - 4,642 |

Shoring widths for spindle 98x700

| Extension bar | l [m] | b _i [m] | b _c [m] | b [m] |
|---------------|---------|--------------------|--------------------|---------------|
| | without | 0,990 - 1,330 | 1,998 - 2,338 | 2,118 - 2,458 |
| 139 430 | 0,30 | 1,290 - 1,630 | 2,298 - 2,638 | 2,418 - 2,758 |
| 139 445 | 0,50 | 1,490 - 1,830 | 2,498 - 2,838 | 2,618 - 2,958 |
| 139 385 | 1,00 | 1,990 - 2,330 | 2,998 - 3,338 | 3,118 - 3,458 |
| 139 400 | 1,50 | 2,490 - 2,830 | 3,498 - 3,838 | 3,618 - 3,958 |
| 139 420 | 2,00 | 2,990 - 3,330 | 3,998 - 4,338 | 4,118 - 4,458 |
| 139 425 | 2,50 | 3,490 - 3,830 | 4,498 - 4,838 | 4,618 - 4,958 |

Shoring widths for spindle 98x817

| Extension bars | Total extension bar length [m] | b _c [m] | b [m] |
|----------------|--------------------------------|--------------------|---------------|
| | without | 0,915 - 1,315 | 1,923 - 2,323 |
| 1 | 0,50 | 1,415 - 1,815 | 2,423 - 2,823 |
| 2 | 1,00 | 1,915 - 2,315 | 2,923 - 3,323 |
| 3 | 1,50 | 2,415 - 2,815 | 3,423 - 3,823 |
| 4 | 2,00 | 2,915 - 3,315 | 3,923 - 4,323 |
| 5 | 2,50 | 3,415 - 3,815 | 4,423 - 4,823 |
| 6 | 3,00 | 3,915 - 4,315 | 4,923 - 5,323 |
| 7 | 3,50 | 4,415 - 4,815 | 5,423 - 5,823 |

A maximum of 7 extension bars with a length of 500 mm may be used.

| | | | | | |
|----------------|---------------------|-----------------|---------------------|---------|--------------------------|
| l | Length | h _c | Pipe culvert height | G / VP | Weight per shoring panel |
| l _c | Pipe culvert length | t _{pl} | Thickness | G / Box | Weight per shoring box |
| b | Trench width | d | Diameter | eh | Earth pressure max. |
| b _c | Inner width | A | Area | | |
| h | Panel height | G | Weight | | |