

Single slide rail system Rollbox shoring



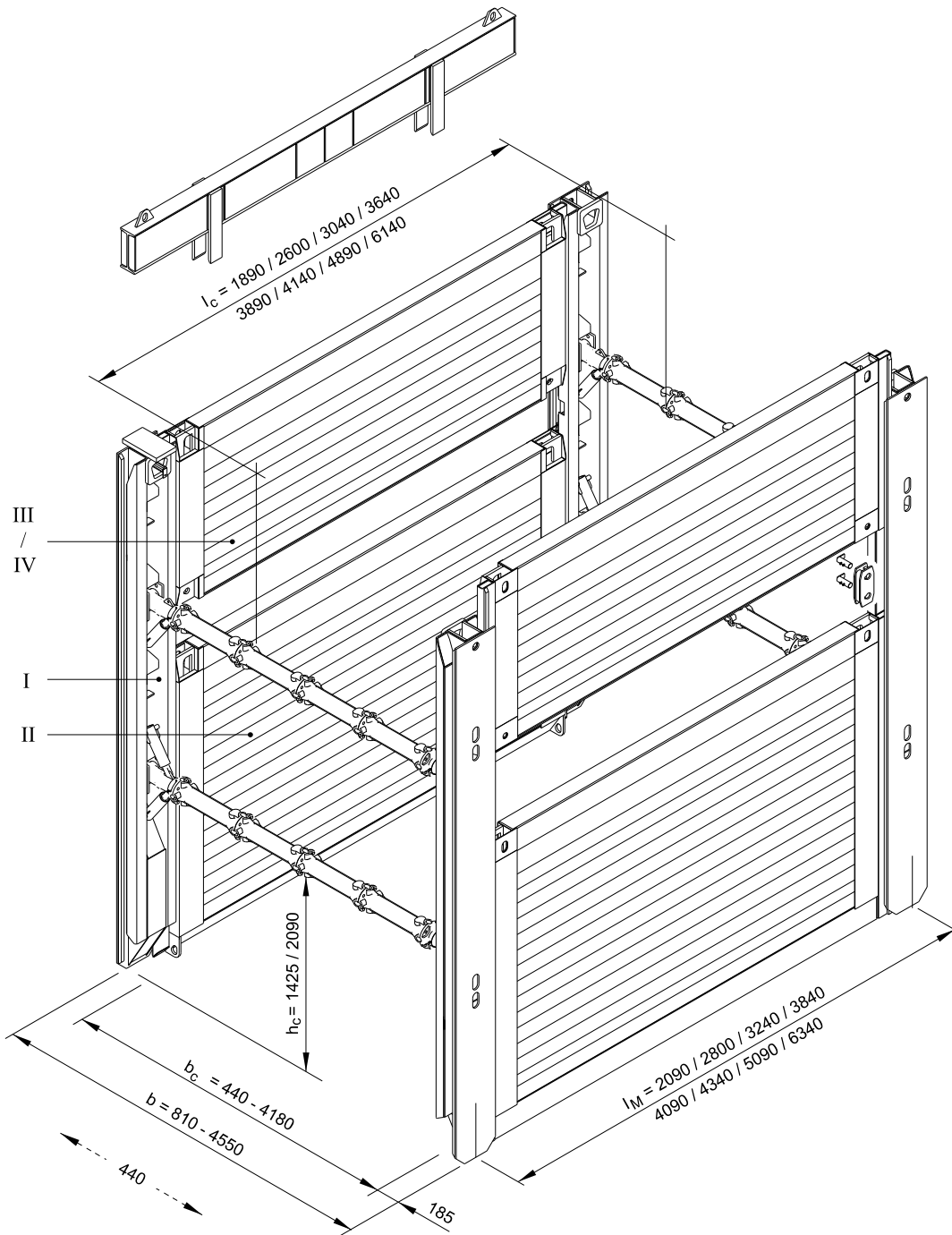
On Rollbox Shoring, two single slide-rail soldiers together with at least two struts form a sturdy guide frame that keeps the system stable during all phases of the project.

The shoring panels and soldiers are driven vertically in the single-rail Rollbox Shoring system with advance soil excavation of max. 0.50 m, depending on stability of the ground.

During installation and removal, the shoring panels and guide frames can be driven or pulled in the desired direction independently of each other.

Basic data

Module length	2,09 m - 6,34 m
Length slide rail	3,35 m / 4,00 m
Panel height	1,32 m / 2,32 m
Pipe culvert height	1,425 m / 2,09 m



(All dimensions in mm)

From an intermediate piece length combination of 1.10 m, it is mandatory to mount the shoring horizontally.

I	Rollbox shoring support	l_M	Module length	b_c	Inner width
II	Base panel	l_c	Pipe culvert length	h_c	Pipe culvert height
III / IV	Top panel	b	Shoring width	t_{pl}	Thickness

Rollbox support

Art. No.	Short description	l [m]	G [kg]
820 052	Base support	3,35	455,0
820 080	Base support	4,00	550,0

Base panel (Height 2,32 m)

Art. No.	l [m]	l _M [m]	t _{pl} [m]	l _c [m]	G / VP [kg]	A [m ²]	eh [kN/m ²]
821 120	1,89	2,09	0,11	1,89	519,0	4,38	176,00
821 160	2,60	2,80	0,11	2,60	650,0	6,03	90,00
821 250	3,04	3,24	0,11	3,04	733,0	7,05	65,50
821 610	3,64	3,84	0,11	3,64	845,0	8,44	45,20
821 850	3,89	4,09	0,11	3,89	968,0	9,02	39,40
821 855	4,14	4,34	0,15	4,14	1.300,0	9,58	81,00
821 860	4,89	5,09	0,15	4,89	1.505,0	11,34	58,10
821 861	6,13	6,34	0,15	6,13	1.880,0	14,22	36,60

Top panel (Height 1,32 m)

Art. No.	l [m]	l _M [m]	t _{pl} [m]	l _c [m]	G / VP [kg]	A [m ²]	eh [kN/m ²]
822 060	1,89	2,09	0,11	1,89	356,0	2,49	176,00
821 180	2,60	2,80	0,11	2,60	450,0	3,43	90,00
822 120	3,04	3,24	0,11	3,04	519,0	4,01	65,50
822 620	3,64	3,84	0,11	3,64	620,0	4,80	45,20
822 760	3,89	4,09	0,11	3,89	649,0	5,13	39,40
822 783	4,14	4,34	0,15	4,14	873,0	5,45	81,00
822 800	4,89	5,09	0,15	4,89	1.098,0	6,45	58,10
822 801	6,13	6,34	0,15	6,13	1.370,0	8,09	36,60

Top panel (Height 2,30 m)

Art. No.	l [m]	l _M [m]	t _{pl} [m]	l _c [m]	G / VP [kg]	A [m ²]	eh [kN/m ²]
822 065	1,89	2,09	0,11	1,89	532,0	4,35	176,00
822 155	2,60	2,80	0,11	2,60	660,0	5,98	90,00
822 180	3,04	3,24	0,11	3,04	742,0	6,99	65,50
822 680	3,64	3,84	0,11	3,64	852,0	8,37	45,20
822 780	3,89	4,09	0,11	3,89	980,0	8,95	39,40
822 785	4,14	4,34	0,15	4,14	1.409,0	9,50	81,00

Extension bars

Art. No.	Short description	l [m]	G [kg]
850 091	Extension bar GGG 50	0,250	11,2
850 100	Extension bar GGG 50	0,550	18,7
850 112	Extension bar HEB 180	0,275	28,0
850 110	Extension bar HEB 180	0,550	43,0
850 124	Extension bar HEB 180	1,100	70,0
850 132	Extension bar HEB 180	1,650	100,0
850 135	Extension bar HEB 180	2,200	130,0
850 105	Extension bar HEB 220	0,275	40,0
850 115	Extension bar HEB 220	0,550	58,0
850 121	Extension bar HEB 220	1,100	98,0
850 130	Extension bar HEB 220	1,650	140,0
850 141	Extension bar HEB 220	2,200	180,0

Trench widths

Length HEB [m]	Inner width b_c [m]	Trench width b [m]
0,000	0,440 - 0,880	0,810 - 1,250
0,275	0,715 - 1,155	1,085 - 1,525
0,550	0,990 - 1,430	1,360 - 1,800
1,100	1,540 - 1,980	1,910 - 2,350
1,650	2,090 - 2,530	2,460 - 2,900
2,200	2,640 - 3,080	3,010 - 3,450

Accessories / Spares

Art. No.	Short description	l [m]	d [m]	G [kg]
842 758	Adapter for DKU piling frame, corner shoring, h = 0.50 m KDIV			47,0
842 752	Adapter for DKU piling frame, corner shoring, h = 0.50 m KDVI			55,0
842 753	Adapter for DKU piling frame, corner shoring, h = 1.00 m KDVI			94,0
842 759	Adapter for DKU piling frame, h = 0.50 m KDIV (single slide rail, e+s)			40,0
842 749	Adapter for DKU piling frame, h = 0.50 m KDVI (single slide rail, e+s)			45,0
842 751	Adapter for DKU piling frame, h = 1.00 m KDVI (single slide rail)			75,5
834 080	Adapter for EGS / DGS (LV)			105,0
862 200	Connector			5,5
834 100	Cover panel for in-situ concrete DG -base panel-	0,750		7,9
834 110	Cover plate for in-situ concrete DG -top plate-	1,000		9,9
842 099	DKU piling frame guide frame	2,27		105,0
842 100	DKU piling frame guide frame	3,81		175,0
IA 0150F	Nut M 24			0,1
IA 0210F	Nut M 36			0,4
862 100	Pin (for connector)	0,110	0,035	1,0
832 246	Pin for boogie car (deep Linear shoring)	0,300	0,05	4,6
832 230	Pin for Pressure Plate Rectangular Boogie Car	0,150	0,035	1,4
832 245	Pin, Linear shoring (double slide rail)	0,300	0,04	3,2
850 720	Pin, Linear shoring (single slide rail)	0,150	0,05	2,5
861 075	Pressure beam (boxes, slide rail)	4,60		425,0

Accessories / Spares (contd.)

Art. No.	Short description	l [m]	d [m]	G [kg]
861 085	Pressure beam (boxes, slide rail)	5,80		525,0
861 074	Pressure beam (Medium, Magnum shoring, KS 100, GLS)	2,35		236,0
861 070	Pressure beam (Medium, Magnum shoring, KS 100, GLS)	2,80		271,0
861 071	Pressure beam (Medium, Magnum shoring, KS 100, GLS)	3,40		318,0
861 076	Pressure beam (Medium, Magnum shoring, KS 100, GLS)	1,60		176,0
834 015	Pressure plate for boogie car			12,4
834 060	Pull adapter double slide rail			43,6
834 057	Pull adapter single slide rail			33,0
IB 0470F	Screw M 24 x 80			0,4
IB 0614F	Screw M 36 x 80			1,0
HE 0050 F	Spring cotter 6 mm		0,006	0,03
HE 0060F	Spring cotter 8 mm		0,008	0,1
336 960	Support bracket for DKU piling frame element			40,0
821 100	Suspension chain KL-13-8	5,000		25,7
842 704	Waling for DKU piling frame, module length 2.84 m (single slide rail, e+s)	2,60		300,0
842 705	Waling for DKU piling frame, module length 3.88 m (single slide rail, e+s)	3,64		402,0
842 710	Waling for DKU piling frame, module length 4.13 m (single slide rail, e+s)	3,89		420,0
842 711	Waling for DKU piling frame, module length 4.38 m (single slide rail, e+s)	4,13		445,0

l	Length	b _c	Inner width	A	Area
l _c	Pipe culvert length	h _c	Pipe culvert height	G	Weight
l _M	Module length	t _{pl}	Thickness	G / VP	Weight per shoring panel
b	Trench width	d	Diameter	G / Box	Weight per shoring box