

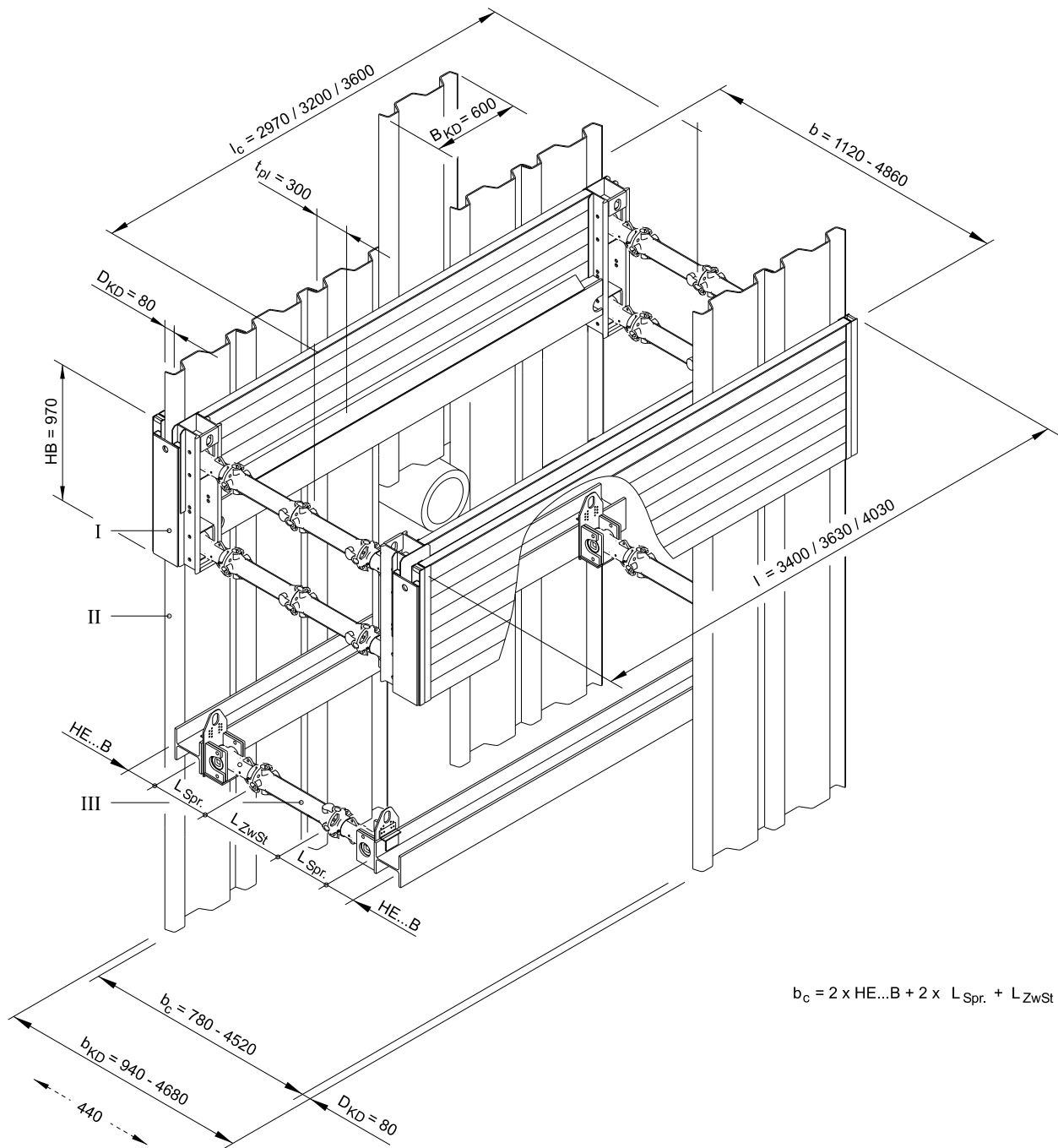
Sheet pile element (before 09/2009)



The piling frame element serves as an installation and waling element for sheet piles. It is used particularly in trenches crossed by large numbers of pipes and cables where large-area shoring would be inappropriate. A variety of basic system lengths are available for adaptation to the pile shape and width.

Basic data

Shoring length	3,40 m / 3,63 m / 4,03 m
Height sheet pile element	0,97 m
Shoring depth	variable



(All dimensions in mm)

I	Sheet pile element	L _{ZwSt}	Length extension bar	b_c	Inner width
II	Sheet pile	B_{KD}	Width sheet pile	b_{KD}	Shoring width -outside- / sheet pile
III	Extension bar	I	Length	h_c	Pipe culvert height
HB	Height base unit	l_c	Pipe culvert length	t_{pl}	Thickness
L _{Spr.}	Length strut	b	Shoring width	D_{KD}	Thickness sheet pile

Sheet pile elements KN 80

Art. No.	Short description	l [m]	h [m]	l _c [m]	G / VP [kg]	G / Box [kg]	A [m ²]
842 520	Sheet pile element KN 80	3,40	0,97	2,97	942,0	1.884,0	3,30
842 560	Sheet pile element KN 80	3,63	0,97	3,20	989,0	1.978,0	3,52
842 600	Sheet pile element KN 80	4,03	0,97	3,60	1.081,5	2.163,0	3,91

Extension bars

Art. No.	Short description	l [m]	G [kg]
850 091	Extension bar GGG 50	0,250	11,2
850 100	Extension bar GGG 50	0,550	18,7
850 112	Extension bar HEB 180	0,275	28,0
850 110	Extension bar HEB 180	0,550	43,0
850 124	Extension bar HEB 180	1,100	70,0
850 132	Extension bar HEB 180	1,650	100,0
850 135	Extension bar HEB 180	2,200	130,0
850 105	Extension bar HEB 220	0,275	40,0
850 115	Extension bar HEB 220	0,550	58,0
850 121	Extension bar HEB 220	1,100	98,0
850 130	Extension bar HEB 220	1,650	140,0
850 141	Extension bar HEB 220	2,200	180,0

Trench widths (for cast iron tubular extension bars l = 0.55 m)

Number of extension bars		Length extension bar	VI / KD	VI / DK	VA / KD	VA / DK
n	[m]	[m]	[m]	[m]	[m]	[m]
0	0,00	0,78 - 1,22	0,48 - 0,92	0,94 - 1,38	1,12 - 1,56	
1	0,55	1,33 - 1,77	1,03 - 1,47	1,49 - 1,93	1,67 - 2,11	
2	1,10	1,88 - 2,32	1,58 - 2,02	2,04 - 2,48	2,22 - 2,66	
3	1,65	2,43 - 2,87	2,13 - 2,57	2,59 - 3,03	2,77 - 3,21	
4	2,20	2,98 - 3,42	2,68 - 3,12	3,14 - 3,58	3,32 - 3,76	
5	2,75	3,53 - 3,97	3,23 - 3,67	3,69 - 4,13	3,87 - 4,31	
max. 6	3,30	4,08 - 4,52	3,78 - 4,22	4,24 - 4,68	4,42 - 4,86	

VI / KD Shoring width -inside- / sheet pile
VA / KD Shoring width -outside- / sheet pile

VI / DK Shoring width -inside- / sheet pile element
VA / DK Shoring width -outside- / sheet pile element

l	Length	h _c	Pipe culvert height	G	Weight
l _c	Pipe culvert length	t _{pl}	Thickness	G / VP	Weight per shoring panel
b	Trench width	d	Diameter	G / Box	Weight per shoring box
b _c	Inner width	A	Area	eh	Earth pressure max.