

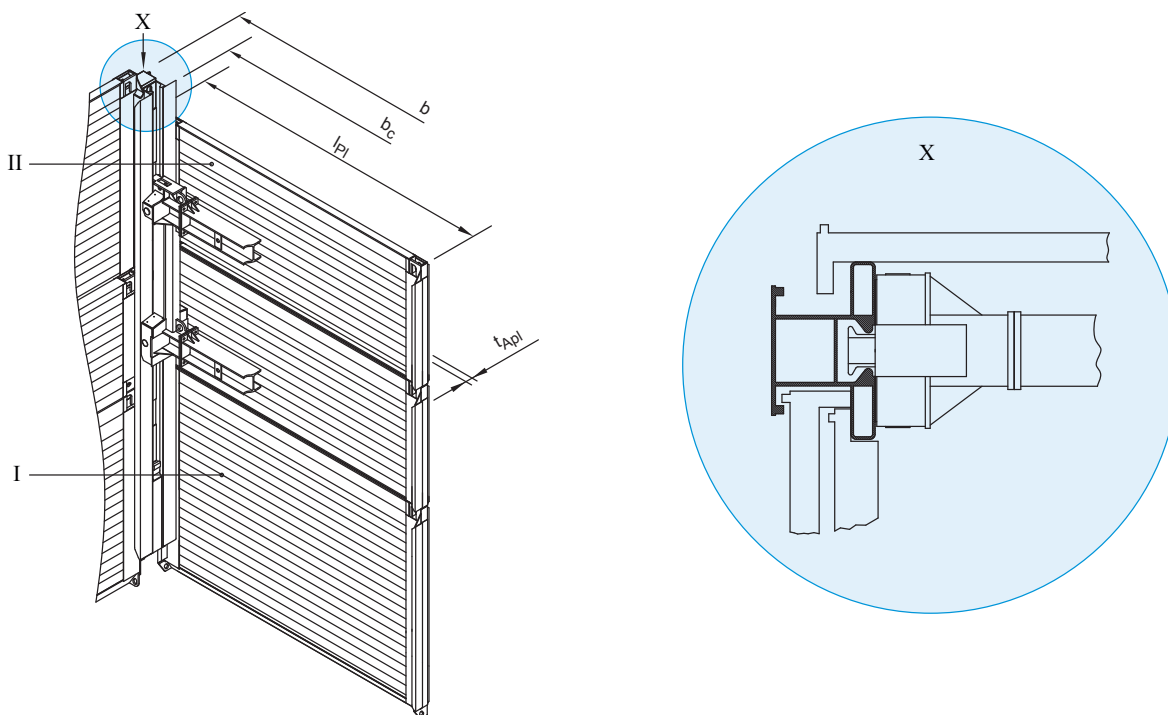
Trench end shoring with slide-rail panels



As an alternative to large-area panels or sheet piles, standard slide-rail panels can also be used for head shoring. In accordance with the existing cone of slope, these are inserted as late as possible with the placement or dig-and-push method. The panels are braced against the vertical shoring rails and guided transversely by the bulge of the outer panels.

Using a standard slide-rail panel as end shoring is much faster and easier than the installation of sheet piles and is suitable for pits of low width and depth.

Trench end shoring with slide-rail panels



(All dimensions in mm)

I	Base panel	l_{pl}	Panel length	b_c	Inner width
II	Top panel	b	Shoring / trench width	t_{Apl}	Thickness outside panel

Base panel -outside- (Height 2,32 m)

Art. No.	l [m]	l _M [m]	t _{pl} [m]	l _c [m]	G / VP [kg]	A [m ²]	eh [kN/m ²]
821 150	2,00	2,25	0,11	2,00	541,0	4,64	149,00
821 170	2,71	2,96	0,11	2,71	672,0	6,29	80,00
821 310	3,15	3,40	0,11	3,15	755,0	7,31	59,00
821 770	3,75	4,00	0,11	3,75	865,0	8,70	41,40
821 910	4,00	4,25	0,11	4,00	911,0	9,28	36,60
821 913	4,25	4,50	0,15	4,25	1.313,0	9,86	75,00
821 912	5,00	5,25	0,15	5,00	1.545,0	11,60	54,50
821 916	6,25	6,50	0,15	6,25	1.910,0	14,50	34,70

Top panel -outside- (Height 1,32 m)

Art. No.	l [m]	l _M [m]	t _{pl} [m]	l _c [m]	G / VP [kg]	A [m ²]	eh [kN/m ²]
822 075	2,00	2,25	0,11	2,00	368,0	2,64	149,00
821 190	2,71	2,96	0,11	2,71	453,0	3,58	80,00
822 310	3,15	3,40	0,11	3,15	511,0	4,16	59,00
822 710	3,75	4,00	0,11	3,75	611,0	4,95	41,40
822 810	4,00	4,25	0,11	4,00	647,0	5,28	36,30
822 813	4,25	4,50	0,15	4,25	900,0	5,61	75,00
822 815	5,00	5,25	0,15	5,00	1.137,0	6,60	54,50
822 830	6,25	6,50	0,15	6,25	1.400,0	8,25	34,70

Top panel -outside- (Height 2,30 m)

Art. No.	l [m]	l _M [m]	t _{pl} [m]	l _c [m]	G / VP [kg]	A [m ²]	eh [kN/m ²]
822 820	5,00	5,25	0,15	5,00	1.700,0	11,50	54,50

Trench widths, trench end shoring with slide-rail panels

Art. No.	l _{pl} [m]	l _M [m]	min. b _c [m]	Extension bar combinations [mm]	max. b _c [m]	Extension bar combinations [mm]
821 150	2,00	2,25	1,490	2*20 / 550	1,725	275 / 550
821 170	2,71	2,96	2,180	2*20 / 140 / 1100	2,412	412 / 1100
821 310	3,15	3,40	2,690	140 / 1650	2,825	275 / 1650
821 770	3,75	4,00	3,240	140 / 2200	3,475	375 / 2200
821 910	4,00	4,25	3,475	375 / 2200	3,750	275 / 375 / 2200
821 913	4,25	4,50	3,790	140 / 550 / 2200	3,925	275 / 550 / 2200
821 912	5,00	5,25	4,475	275 / 1100 / 2200	4,612	412 / 1100 / 2200

l	Length	b _c	Inner width	A	Area
l _c	Pipe culvert length	h _c	Pipe culvert height	G	Weight
l _M	Module length	t _{pl}	Thickness	G / VP	Weight per shoring panel
b	Trench width	d	Diameter	G / Box	Weight per shoring box